



Standing Desk Petite



Standing Desk Full



Standing Desk Full

Standing Computer Desks

The Solid Wood Standing Desk that Hides your Wires and Cables

A Caretta Workspace standing desk allows the user to comfortably and productively stand at a workspace for all or part of the workday.

The same challenges exist with standing desks as traditional seated desks: what to do with the cables, wires and power strips that are required in any workspace, especially with the reliance on smart phones, tablets and other electronic devices that add additional cords to the desk top. This issue is magnified in a stand-up desk, which is further off the floor, leading to the use of unsafe extension cords, tripping hazards and unsightly cables hanging down from the desktop.

As with all Caretta Desks, the cables are actually incorporated into the desk system, resulting in a clutter-free, safer workspace.

Versions:

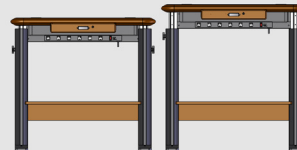
Standing Computer Desk Petite:

Part #: 501-0013-00-00-0

Size: H: 40"-45" W: 45" D: 32"

Weight: 127 lbs.

Power Strip: 6 Outlet



Height adjustable from 40" to 45"

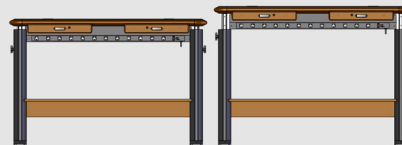
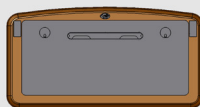
Standing Computer Desk Full:

Part #: 501-0012-00-00-0

Size: H: 40"-45" W: 62" D: 32"

Weight: 140 lbs.

Power Strip: 12 Outlet



Height adjustable from 40" to 45"

There are two versions of the Standing Computer Desk, which are named Petite and Full. The differences are desk width, number of drawers and size of the integrated power strip.

- Adjustable Height
- Cable Management
- Solid Cherry Wood
- Durable Desk Inlay
- Integrated Power Strip

Wood Stain Options

Natural
Cherry

Estate
Cherry

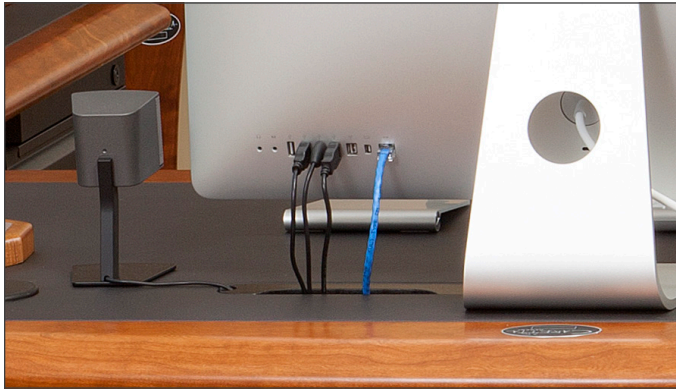
Two stain options are available, lighter Natural Cherry or darker Estate Cherry. Both highlight the beautiful grain patterns of the solid cherry hardwood



635 Enterprise Drive
Lewis Center, OH 43035
Phone: 614-430-8660
www.CarettaWorkspace.com
Made in America

Questions? Call Us!
(877) 422-1088

Standing Computer Desks: Features



Cable Management

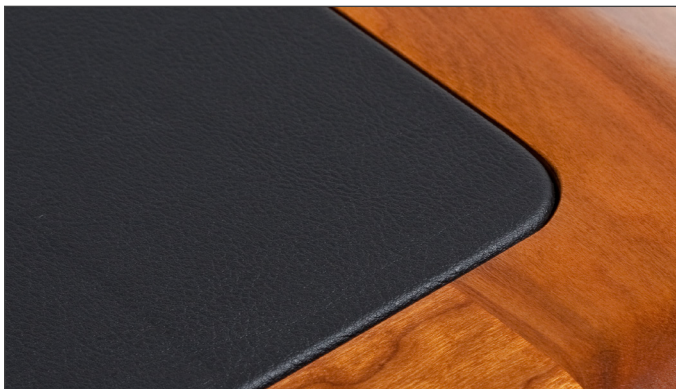
The desk comes equipped with a large cable tray that can hide all of your computer wires and cables. We can't make your cables go away, but we can make them disappear!



Premium Solid Cherry Hardwood

The solid cherry hardwood used in the desk is selected for its unique grain patterns, then finished with a durable, bright, natural cherry finish. Each piece goes through a detailed 10-step finish process which is perfected with time and hand work.

Available in lighter Natural Cherry stain, or darker Estate Cherry Stain



Soft and Durable Desk Inlay

Inlay material is a high-end touch that eliminates the need for a desk pad. The material makes a nice writing surface and is extremely abrasion resistant.



Micro-Suede Lined Locking Drawers

The desk has one (Petite) or two (Full) locking drawers that are large enough to store a laptop computer. The drawers have a sturdy hardwood frame and metal base to maximize drawer depth. Micro-suede lining provides an elegant touch.

Standing Computer Desks: **Features** (continued)



Soft Bull-Nose Desk Edge

The bull-nose edge on the desk gives a finished look to the desk, and it is a nice rest for wrists or forearms when working.



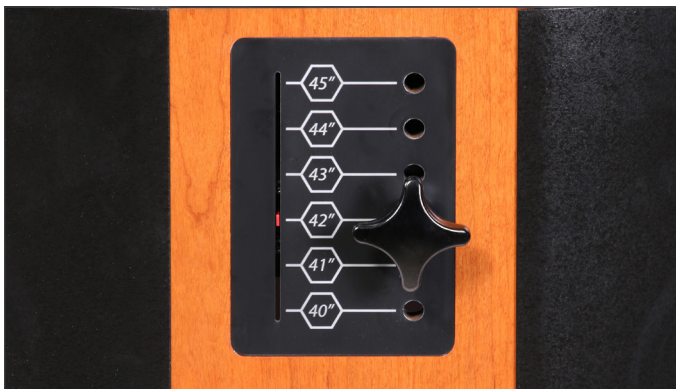
Large Surge Suppressing Power Strip

A 12 outlet (Full) or 6 outlet (Petite) surge suppressing power strip is attached directly to the cable tray under the desk top. Plugs are spaced far enough apart so you can plug transformers side by side. There are LED indicators that show that surge suppression is active and the strip is plugged into a grounded circuit. Each strip has a 9' power cord.



Laser-Engraved Number Badge

Each desk is one of a kind. The number on the laser-engraved badge means that your desk is a numbered piece of art.



Adjustable Desk Height

The Ergonomic height of the standing desk should be set just below your bent elbow. The height of the desk is adjustable from 40" to 45". Once the adjustment knobs are removed, two gas springs make it easy to move the height of the desk, where it can be locked back into place.

Standing Computer Desks: Photos



This **Standing Computer Desk Petite** has computer cables routing into the large cable tray through the bottom of the tray. This office is also equipped with a Caretta Side Table.

Desks


Standing Computer Desks

Desks

Standing Computer Desks



635 Enterprise Drive
 Lewis Center, OH 43035
 Phone: 614-430-8660
www.CarettaWorkspace.com
 Made in America

Questions? Call Us!
 (877)422-1088

Standing Computer Desks: Photos

Desks

Desks

Standing Computer Desks


Standing Computer Desks



↑ **Your Logo
Laser Engraved
Here**

This **Standing Computer Desk Petite** has a modesty panel with laser-engraved graphics. This is a great place to display your corporate logo or other graphic. This desk is the perfect Concierge desk for hotels, auto dealerships, or any other public area.



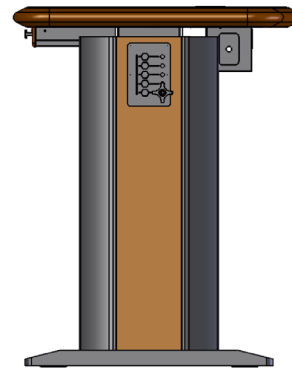
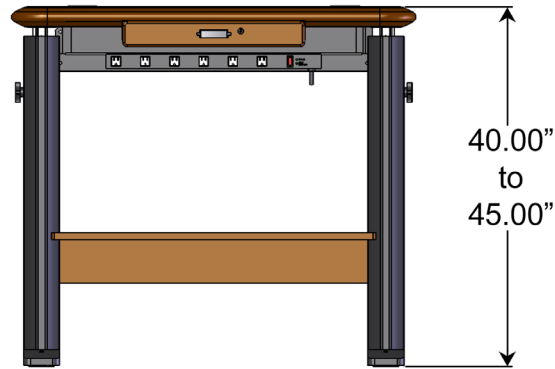
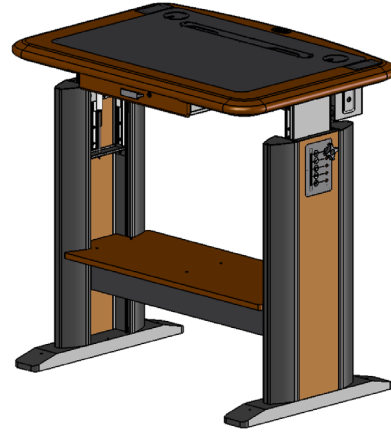
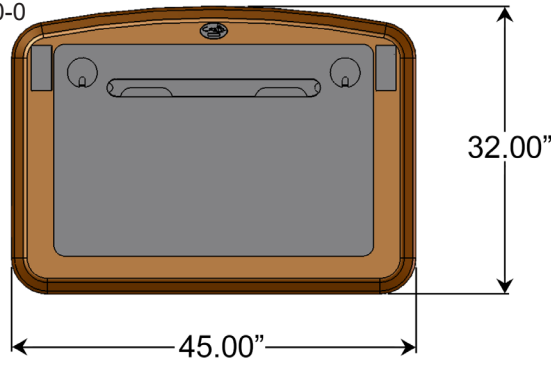
635 Enterprise Drive
Lewis Center, OH 43035
Phone: 614-430-8660
www.CarettaWorkspace.com
 Made in America

Questions? Call Us!
(877) 422-1088

Standing Computer Desks: Dimensions

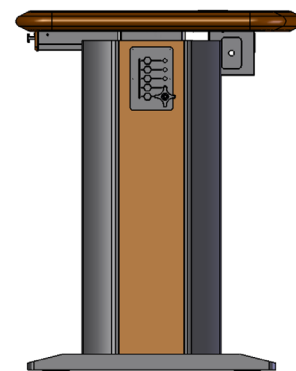
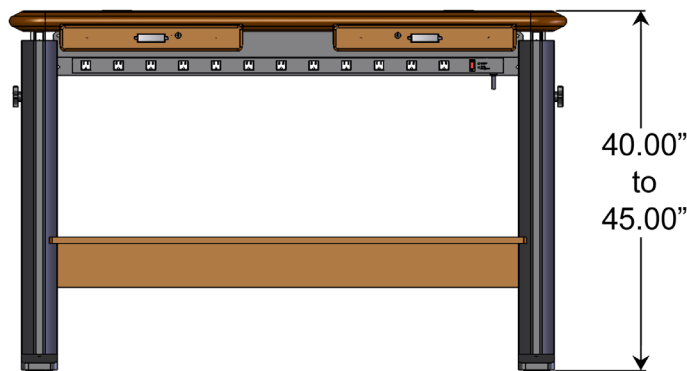
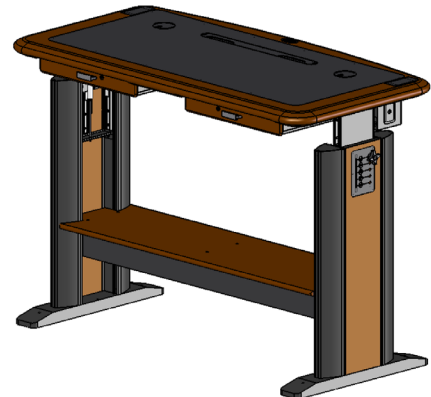
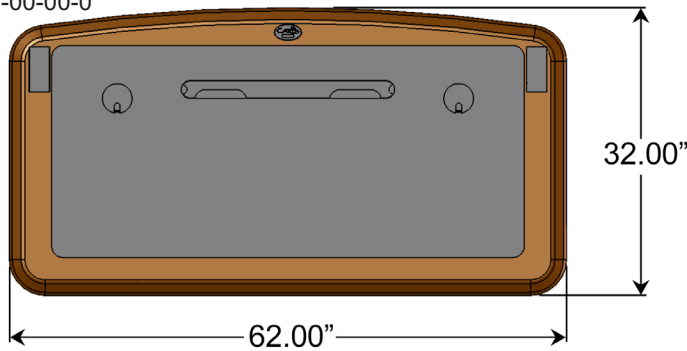
Standing Computer Desk Petite:

Part #: 501-0013-00-00-0



Standing Computer Desk Full:

Part #: 501-0012-00-00-0



Desks


Desks

Standing Computer Desks

Standing Computer Desks



635 Enterprise Drive
 Lewis Center, OH 43035
 Phone: 614-430-8660
www.CarettaWorkspace.com
 Made in America


Questions? Call Us!
 (877)422-1088

Standing Computer Desks: **Specifications**

Part Number:	<ul style="list-style-type: none"> • Standing Computer Desk Petite: 501-0013-00-00-0 • Standing Computer Desk Full: 501-0012-00-00-0
Dimensions:	<ul style="list-style-type: none"> • Desk height adjustable from 40.00" to 45.00" • Standing Computer Desk Petite: H: 40.00" to 45.00" W: 45.00" D: 32.00" • Standing Computer Desk Full: H: 40.00" to 45.00" W: 62.00" D: 32.00"
Weight:	<ul style="list-style-type: none"> • Standing Computer Desk Petite: 127 lbs. • Standing Computer Desk Full: 140 lbs.
Solid Hardwood:	<ul style="list-style-type: none"> • Premium solid cherry hardwood • Hand selected for unique grain patterns • Wood source is FSC Certified • CNC manufacturing ensures precision fit joinery
Wood Finish:	<ul style="list-style-type: none"> • 2 stain options, (lighter) Natural Cherry, and (darker) Estate Cherry • Wood finish highlights beautiful cherry wood grain • Hand-rubbed, 10-step finish process ensures quality • Meets or exceeds Standards of National Kitchen Cabinet Mfg. Association • Low VOC, formaldehyde free • Hand work in finish process ensures high quality
Serial Number Badge:	<ul style="list-style-type: none"> • Laser-engraved badge makes each desk a numbered piece
Metal:	<ul style="list-style-type: none"> • Heavy gauge steel • Aluminum • Black textured paint
Cable Management:	<ul style="list-style-type: none"> • Large metal cable tray integrated into desk • Multiple access points to cable tray from desk top and under cable tray • Soft plastic grommet on metal edge to keep power cords safe from abrasion
Integrated Power Strip:	<ul style="list-style-type: none"> • Standing Computer Desk Petite: six plug positions • Standing Computer Desk Full: twelve plug positions • Plugs are spaced wide enough to accommodate transformers side-by-side • 1824 joules of surge suppression • Max load 1875 Watts • 15 Amp resettable circuit breaker • 9 Foot cord • Mounts directly to cable tray for easy access to all power cords • Can be mounted with cord out of left or right of desk • Clips on desk leg to secure cord • "Surge Protection" LED indicates strip is providing surge suppression (green led = surge protection good, red led = surge protection failed) • "Ground" LED indicates strip is plugged into a grounded circuit (green led = circuit grounded, red led = circuit not grounded)



635 Enterprise Drive
 Lewis Center, OH 43035
 Phone: 614-430-8660
www.CarettaWorkspace.com
 Made in America


Questions? Call Us!
 (877)422-1088

Standing Computer Desks: **Specifications** (continued)

Desk Top:	<ul style="list-style-type: none"> • 2.25" Thick work surface with a soft bull-nose edge • Large Dibond® cable tray cover with multiple entry points to cable tray • Two 2.5" round grommets, can be replaced with Desktop Connectivity Ports • Mounting location for Monitor Arm, without the need for edge clamp • Mounting locations for Power/Organizer Tower or Desktop Riser Shelf
Inlay Material:	<ul style="list-style-type: none"> • Material is of a quality indistinguishable from leather • Superior abrasion resistance (1 million double rubs Abrasion #8 Cotton Duck) • Mildew resistant, Oil Resistant • Ultra Violet Stable Pigment, Sulfide Stain Resistant, ASTM E 1428-Pink Stain Test • Meets: BIFMA Class 1, Cal 117-2013, MVSS-302, California Fire Code 117
Desk Legs:	<ul style="list-style-type: none"> • Aluminum structure painted black • Cherry center section • Height adjust panel with desk height indicator • Gas springs to assist with desk height adjustment • Leveling feet
Lower Leg Shelf:	<ul style="list-style-type: none"> • Large cherry wood shelf that spans legs provides ample storage • Structure under shelf provides rigidity to shelf and desk
Desk Drawers:	<ul style="list-style-type: none"> • Standing Computer Desk Petite: One locking drawer, mounted under desk top • Standing Computer Desk Full: Two locking drawers, mounted under desk top • Micro-suede lined for a soft feel • Hardwood drawer frame to maximize rigidity • Metal base to maximize drawer depth • Inside dimensions: H: 2.75" W: 18.38" D: 15.00" • Ball bearing slides for smooth operation
Assembly:	<ul style="list-style-type: none"> • Assembles in 10-15 minutes • One size of standard (1/4-20) screw • Included "T" handle tool
Turtle Conservation:	<ul style="list-style-type: none"> • Our name, Caretta, honors the endangered loggerhead sea turtle. We will make a donation to the Save the Sea Turtle fund at the Columbus Zoo and Aquarium with the sale of each desk
Typical Lead Time:	<ul style="list-style-type: none"> • In Stock - 2 weeks



635 Enterprise Drive
 Lewis Center, OH 43035
 Phone: 614-430-8660
www.CarettaWorkspace.com
 Made in America

Questions? Call Us!
 (877)422-1088

Standing Computer Desks: Accessories



Monitor Arms

- Lots of different arms to choose from to meet your specific need.
- For single or multiple monitors



Desktop Riser Shelves

- Available with LED lighting
- 2 sizes to choose from



Power/Organizer Tower

- 3 Integrated power plugs bring power to the desktop
- 3 or 6 shelf versions available



Keyboard Tray

- Order the desk with an optional keyboard tray. (The tray replaces the desk drawers, and must be ordered with the desk)



Table Top Lectern

- Free standing lectern top
- Great for reading documents and papers, or presenting.



Modesty Panel

- Provides extra privacy
- 2 sizes to choose from
- Metal and wood construction
- Optional laser engraving



Desktop USB SD Charging Grommet

- 3, USB 3.0 Ports
- SD, Micro SD card readers
- 2.1 Amp charging



Desktop Qi Wireless Charger

- Charge phones and devices on the desktop (devices with Qi charging capability)



Caretta Power Block

- 2 Power plugs on desktop
- 15 Amp current capability

Find these and many other accessories and companion products at www.CarettaWorkspace.com.