



Contemporary Hutch

This is the Perfect Hutch to Compliment a Caretta Office

The freestanding, Contemporary Hutch is a beautiful addition to any office. With two locking doors, movable shelves, a high quality covered tack board, and a tray for storing push pins and writing instruments, this hutch was engineered to add functionality to your workspace. The unit is constructed of premium solid cherry hardwood and finished with a very high quality 10-step finish process. It was designed to fit on the return of any Caretta L Shaped Desk or Side Table, but with felt included on the bottom of the feet, it is well suited to sit on any table or credenza.

Versions:

Contemporary Hutch:

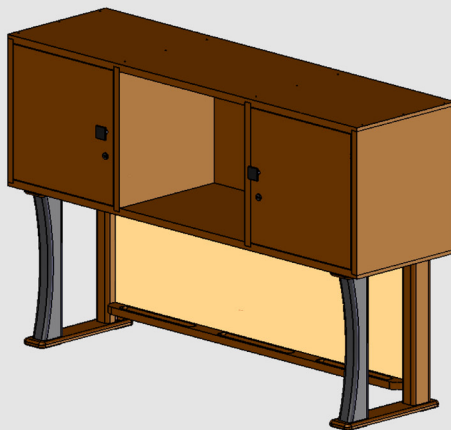
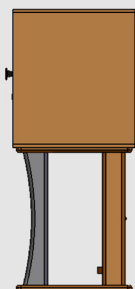
Part #: 521-0002-00-00-0

Contemporary Hutch With LED Light Bar:

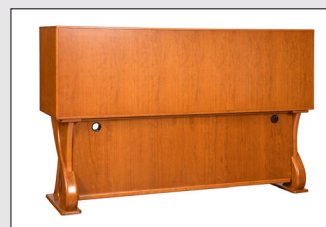
Part #: 521-0003-00-00-0

Size: H: 30.88" W: 48" D: 13.5"

Weight: 65 lbs.



- Freestanding Hutch
- Solid Cherry Wood
- Two Locking Doors
- Covered Tack Board
- Optional LED Lighting



The Contemporary Hutch has wood finished on all sides. That means the hutch can sit in the middle of a room and still look great from both the front and back sides.



635 Enterprise Drive
Lewis Center, OH 43035
Phone: 614-430-8660
www.Carettaworkspace.com
Made in America

Questions? Call Us!
(877) 422-1088

Contemporary Hutch: Features



Modern Look

The combination of premium cherry wood and sculpted black legs give it a modern, sophisticated look.



Optional LED Lighting

Add a dimmable LED light bar to the underside of the Hutch. It provides a wash of light onto the pin board.



Two Locking Doors

The Hutch has two doors that securely lock in place. Behind the doors are compartments that have movable media shelves.



Freestanding Unit

The Contemporary Hutch was created to fit on the return of any Caretta L Shaped Desk or Side Table. Felt is placed on the bottom of the feet, which also makes the unit suitable to sit on any table or credenza that is large enough.

The wood on the Hutch is even finished on the back side, so there is no need to place it against a wall. (Artistic Hutch shown in photo)

Contemporary Hutch: Photos



A Contemporary Hutch.



A Contemporary Hutch fits on a Side table behind an Artistic Series Desk.

Companion Products

Contemporary Hutch

Companion Products

Contemporary Hutch



635 Enterprise Drive
Lewis Center, OH 43035
Phone: 614-430-8660
www.CarettaWorkspace.com
Made in America

Questions? Call Us!
(877)422-1088

Contemporary Hutch: Photos

Companion Products

Companion Products

Contemporary Hutch

Contemporary Hutch



A Contemporary Hutch sits on a Caretta Side Table. The Hutch can sit on any surface that is large enough.



635 Enterprise Drive
 Lewis Center, OH 43035
 Phone: 614-430-8660
www.CarettaWorkspace.com
 Made in America

Questions? Call Us!
 (877)422-1088

Contemporary Hutch: Photos



A **Contemporary Hutch** with its two locking doors open show the adjustable media shelves.

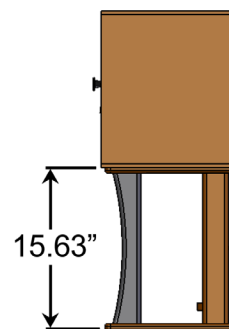
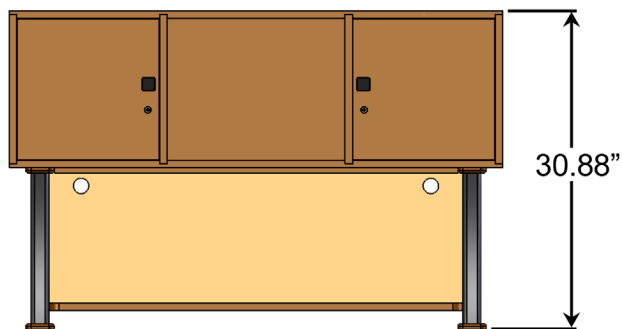
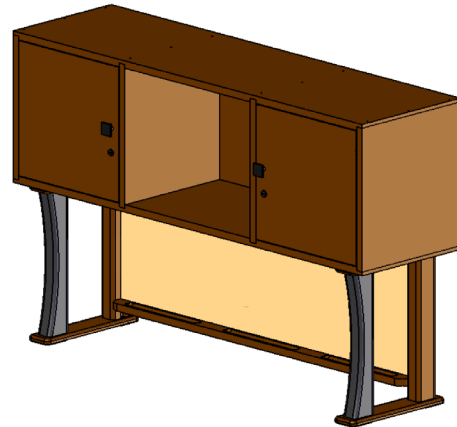
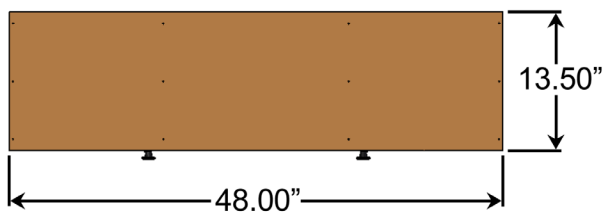
Contemporary Hutch: Dimensions

Contemporary Hutch:

Part #: 521-0002-00-00-0

Contemporary Hutch With LED Light Bar:

Part #: 521-0003-00-00-0




Contemporary Hutch: **Specifications**

- Part Number:**
- Contemporary Hutch: 521-0002-00-00-0
 - Contemporary Hutch with LED Light Bar: 521-0003-00-00-0
- Compatible With:**
- Artistic L Shaped Desks, Modern Urban L Shaped Desks, Side Table, and any other surface that is large enough for the hutch to sit.
- Dimensions:**
- Contemporary Hutch: H: 30.88" W: 48.00" D: 13.50"
H under hutch box: 15.63"
- Weight:**
- Contemporary Hutch: 65 lbs.
- Solid Hardwood:**
- Premium cherry hardwood board
 - Hand selected for unique grain patterns
 - Wood source is FSC Certified
 - CNC manufacturing ensures precision fit joinery
- Wood Finish:**
- Natural cherry finish highlights wood grain
 - Hand-rubbed, 10-step finish process ensures quality
 - Meets or exceeds Standards of National Kitchen Cabinet Mfg. Association
 - Low VOC, formaldehyde free
 - Hand work in finish process ensures high quality
- Locking Doors:**
- Two locking doors can be keyed alike or separately
- Shelves:**
- Each locking compartment has an adjustable height media shelf
- Integrated LED Lighting:**
- Optional LED Light bar mounts under hutch box
 - Casts light onto the tack board
 - Neutral white light
 - Single touch On/Off/Dim switch
- Assembly:**
- Freestanding hutch sits on surface
 - Felt pads reduce the possibility of scratching surfaces
 - Hutch box, legs and tack board are joined with alignment pins and wood screws
- Typical Lead Time:**
- In stock - 4 weeks



635 Enterprise Drive
Lewis Center, OH 43035
Phone: 614-430-8660
www.CarettaWorkspace.com
 Made in America

Questions? Call Us!
 (877)422-1088